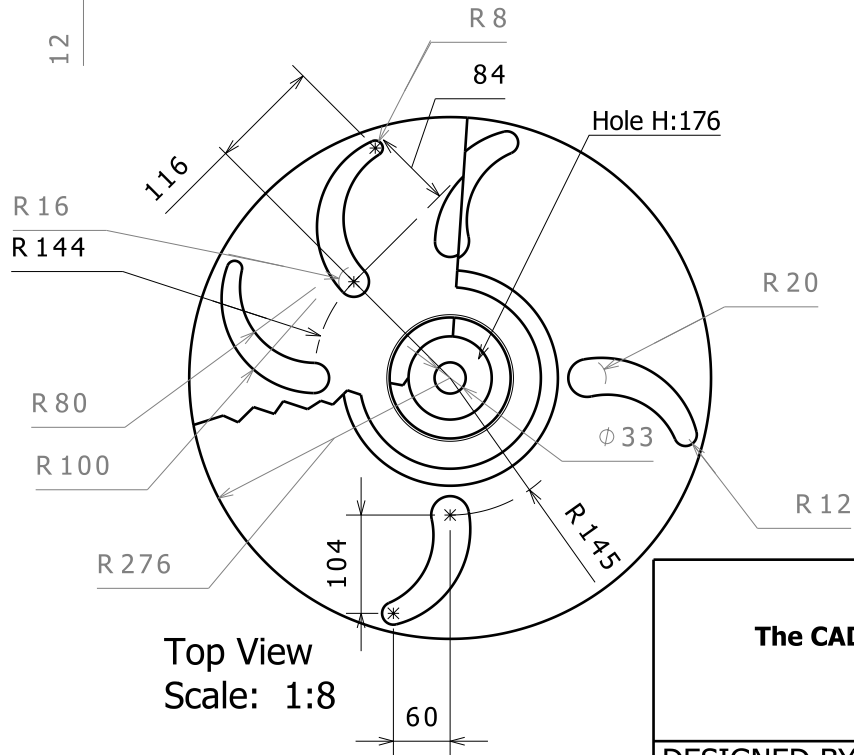
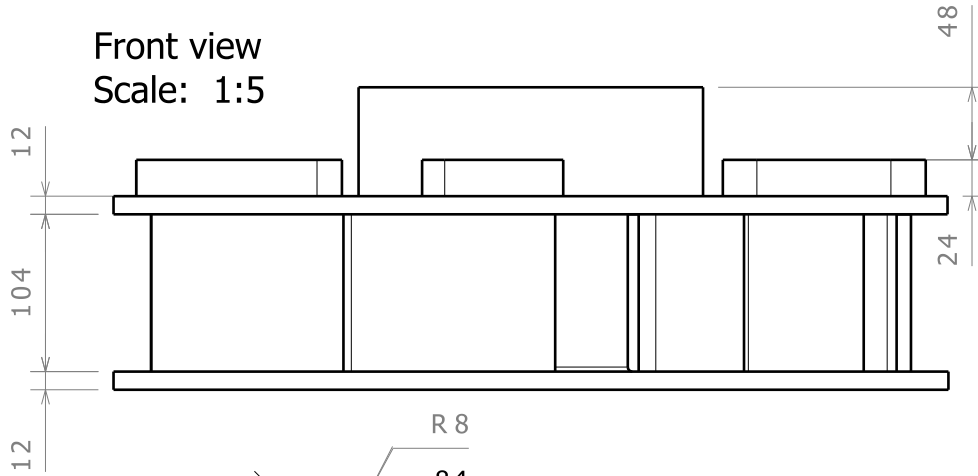
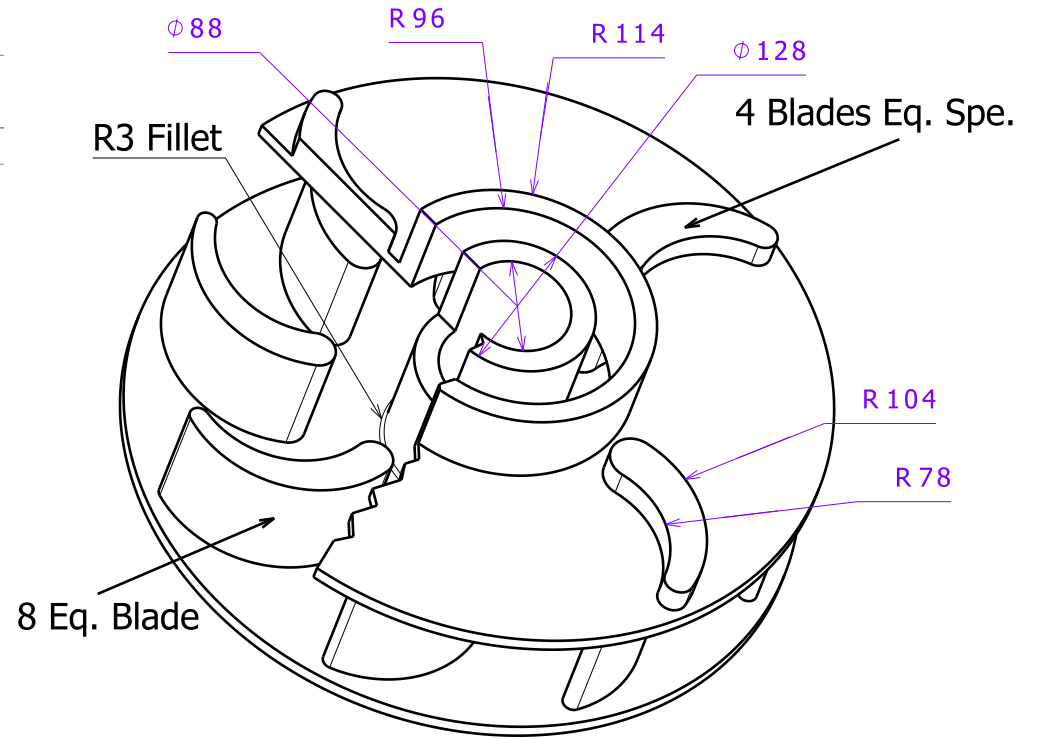


Front view  
Scale: 1:5



Top View  
Scale: 1:8



Isometric view  
Scale: 1:6

The CAD-CAM Exercise

Azad University-Mashhad Branch

DESIGNED BY  
Mohsen Malayjerdi

DATE  
12/20/2009

DRAWING TITLE

Pump's Blade

Master :  
Eng. Faramarzi

SIZE  
A4

DRAWING NUMBER  
A-70 //// 8-123

1/1

Calss Code : Sun & Wed